



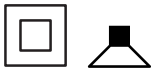
**PROJECT** \_\_\_\_\_

**TYPE** \_\_\_\_\_

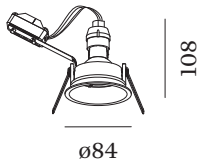
**NOTES** \_\_\_\_\_

**QUANTITY** \_\_\_\_\_

**DATE** \_\_\_\_\_



Round ceiling recessed downlight made from die-cast aluminium; surface Champagne; wet painted, smooth semi glossy; installation without tools using wire springs; suitable for ceiling thickness of 4-27 mm; recessed depth 115 mm; lamp socket GU10; lamp type PAR16; max. 12W; 100 - 240 V; degree of protection IP20; Class 2; lamp not included;



**GENERAL**

Ceiling \_\_\_\_\_  
 Recessed \_\_\_\_\_  
 Champagne \_\_\_\_\_  
 IP20 \_\_\_\_\_  
 Interior \_\_\_\_\_  
 CIE flux code: 94 98 100 100  
 97 \_\_\_\_\_

**LED**

lamp PAR16 \_\_\_\_\_  
 socket GU10 \_\_\_\_\_  
 max. per socket 12.0 W \_\_\_\_\_  
 CRI ≥ 90 \_\_\_\_\_

**ELECTRICAL**

100 - 240 V \_\_\_\_\_  
 Class 2 \_\_\_\_\_

**PHYSICAL**

diameter 84 mm \_\_\_\_\_  
 height 108 mm \_\_\_\_\_  
 0.12 kg \_\_\_\_\_  
 wire springs \_\_\_\_\_

**CUTOUT**

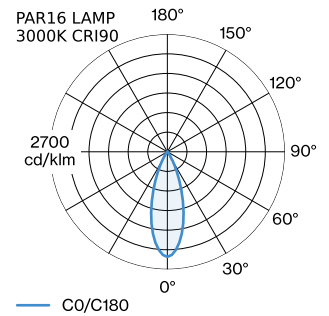
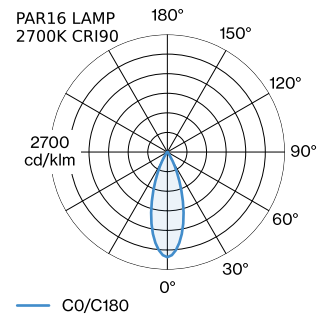
diameter 76-79 mm \_\_\_\_\_  
 min. ceiling thickness 4 mm \_\_\_\_\_  
 max. ceiling thickness 27 mm \_\_\_\_\_  
 recessed depth 115 mm \_\_\_\_\_

**MEASURED LAMPS**

PAR16 LAMP 3000K CRI90 \_\_\_\_\_  
 465 lm \_\_\_\_\_  
 6.5 W \_\_\_\_\_

PAR16 LAMP 2700K CRI90 \_\_\_\_\_  
 450 lm \_\_\_\_\_  
 6.5 W \_\_\_\_\_

**LIGHT DISTRIBUTION**





## ELECTRICAL ACCESSORIES

### LED LAMPS

Colour	Item number
Black Texture	W901228B3
Black Texture	W901228B5

## LAMPS

### PAR16 LED Lamp

Type	Colour	Ø·H (MM)	Item number
2700K   >90 CRI   GU10	White	50·60	901228W3
3000K   >90 CRI   GU10	White	50·60	901228W5
2700K   >80 CRI   GU10	Silver	50·60	905227S2
3000K   >80 CRI   GU10	Silver	50·60	905227S4