



PROJECT _____

TYPE _____

NOTES _____

QUANTITY _____

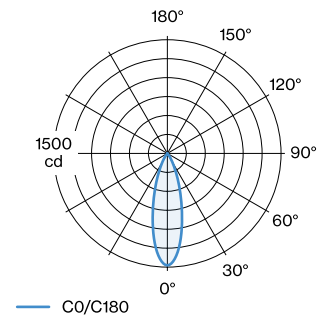
DATE _____



GENERAL

Ceiling _____
 Track _____
 tilt max 90 ° _____
 rotation 355 ° _____
 Black Matt _____
 RAL 9005 ^a _____
 IP20 _____
 Interior _____
 480 lm _____
 CIE flux code: 99 100 100 100 _____
 100 _____

LIGHT DISTRIBUTION



LED

2700 K _____
 CRI ≥ 90 _____
 L70 / 55000h _____
 initial MacAdam ≤ 2 SDCM _____

OPTICAL

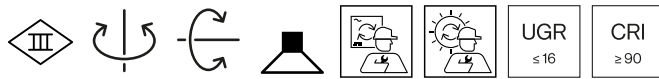
Standard _____
 beam angle 31° _____

ELECTRICAL

DALI-2 _____
 48 V _____
 inset 6.9 W _____
 Class 3 _____

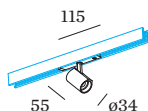
PHYSICAL

diameter 35 mm _____
 height 55 mm _____
 0.11 kg _____
 adapter 171 mm _____
 incl. Strex 48 V track adapter _____



48V track spotlight made from die-cast aluminium; surface Black Matt; powder coated; matt texture; RAL 9005; polycarbonate track adapter in Signal Black; inner ring black; spotlight head 355° rotatable and 90° tiltable; beam angle 31°; with COB (Chip on Board) technology for maximum efficiency; light colour 2700 K; binning initial MacAdam ≤ 2 SDCM; CRI ≥ 90; 48 V; degree of protection IP20; Class 3; UGR ≤ 16; VDU compatible workplace luminaire according to DIN EN 12464-1; luminance above 65° ≤ 1500 cd/m²; light source replaceable by Wever & Ducré or by a professional with explicit authorization; control gear replaceable by an authorized professional;

^a Colour may deviate slightly due to production conditions.





CONE DIAGRAM

standard 30°

h (m)	E0° (lx)	ø (m)
1	1480	0.53
2	370	1.06
3	160	1.60
4	90	2.13
5	60	2.66

Maintenance Factor

Operating Time [h]	10.000	20.000	30.000	40.000	50.000
LLMF	0.92	0.87	0.83	0.79	0.75
LSF	1	1	1	1	1

MF $LMF \times RSMF \times LLMF \times LSF$

MF Maintenance Factor

LMF^a Luminaire Maintenance Factor

RSMF^a Room Surface Maintenance Factor

LLMF Lamp Lumens Maintenance Factor

LSF Lamp Survival Factor

^aAccording to "CIE 97, Maintenance of indoor electric lighting systems", 2005, ISBN 3-900-734-34-8. The values must be determined by the planner.

TRACK ACCESSORIES

Blank Cover 2m

Type	Colour	L·W·H (MM)	Item number
STREX system	Black	2000-18-3	911002B0
STREX system	White	2000-18-3	911002W0

Connector

Type	Colour	L·H (MM)	Item number
STREX system	White	105-18	90014196
STREX system	Black	105-18	90014197

DALI Selv Device

Type	L·W·H (MM)	Item number
STREX system	213-37-25	90019193

End Cap

Type	Colour	L·W·H (MM)	Item number
STREX system surface/suspended	White	26-2.5-29	90014147
STREX system surface/suspended	Black	26-2.5-29	90014148
STREX system recessed	White	37-10-27	90014149
STREX system recessed	Black	37-10-27	90014150
STREX system surface/suspended	Champagne	26-2.5-29	90014347
STREX system surface/suspended	Bronze	26-2.5-29	90014348


L-Connector

Type	Colour	L·W·H (MM)	Item number
STREX system surface/suspended	White	105-105-19	90014198
STREX system surface/suspended	Black	105-105-19	90014199
STREX system recessed	White	105-105-19	90014251
STREX system recessed	Black	105-105-19	90014252
STREX system surface/suspended	Champagne + Black	105-105-19	90014398
STREX system surface/suspended	Bronze + Black	105-105-19	90014399

L-Connector non-electrical

Type	Colour	L·W·H (MM)	Item number
STREX system recessed	White	105-105-19	90014256
STREX system recessed	Black	105-105-19	90014257
STREX system surface	White	105-105-19	90014258
STREX system surface	Black	105-105-19	90014259
STREX system surface	Champagne + Black	105-105-19	90014458
STREX system surface	Bronze + Black	105-105-19	90014459

Mounting Bracket

Type	Item number
STREX system recessed	90014193

Power Feed

Type	Colour	L·H (MM)	Item number
STREX system	Black	112-18	90014154

Suspension Set

Type	Colour	L·W·H (MM)	Item number
STREX system 1.5m suspended	Stainless Steel	80-23-1500	90014160
STREX system 3.0m suspended	Stainless Steel	80-23-3000	90014161
STREX system 1.5m suspended	Black	80-23-1500	90014274
STREX system 3.0m suspended	Black	80-23-3000	90014275

T-Connector

Type	Colour	L·W·H (MM)	Item number
STREX system surface	White	275-146-18	90014292
STREX system surface	Black	275-146-18	90014293

X-Connector

Type	Colour	L·W·H (MM)	Item number
STREX system surface	Black	275-275-18	90014294
STREX system surface	White	275-275-18	90014295

ELECTRICAL ACCESSORIES
Ceiling Driver 100W

Type	Colour	L·W·H (MM)	Item number
STREX system suspended	White	439-26-44	90014368
STREX system suspended	Black	439-26-44	90014369

Ceiling Driver 150W

Type	Colour	L·W·H (MM)	Item number
STREX system suspended	White	439-26-44	90014372
STREX system suspended	Black	439-26-44	90014373


Driver

Type	Voltage	L·W·H (MM)	Item number
STREX system 100W	48V	350-30-18	90218901
STREX system 150W	48V	350-30-18	90218902
STREX system 250W	48V	400-40-22	90218903

In Line Driver 100W

Type	Colour	L·W·H (MM)	Item number
STREX system suspended	White	439-26-44	90014360
STREX system suspended	Black	439-26-44	90014361
STREX system surface	White	439-26-44	90014366
STREX system surface	Black	439-26-44	90014367

In Line Driver 150W

Type	Colour	L·W·H (MM)	Item number
STREX system suspended	White	439-26-44	90014362
STREX system suspended	Black	439-26-44	90014363
STREX system surface	White	439-26-44	90014370
STREX system surface	Black	439-26-44	90014371

In Track Driver 100W

Type	Colour	L·W·H (MM)	Item number
STREX system surface	Black	438-16-18	90014143
STREX system surface	White	438-16-18	90014144
STREX system suspended	White	3000	90014157
STREX system suspended	Black	3000	90014174
STREX system surface	Black	468-26-29	90014176
STREX system surface	White	468-26-29	90014178
STREX system surface	Bronze + Black	468-26-29	90014376
STREX system surface	Champagne + Black	468-26-29	90014378

In Track Driver 250W

Type	Colour	L·W·H (MM)	Item number
STREX system surface	Black	408-16-18	90014145
STREX system surface	White	408-16-18	90014146
STREX system suspended	White	3000	90014158
STREX system suspended	Black	3000	90014175
STREX system surface	Black	438-26-29	90014177
STREX system surface	White	438-26-29	90014179
STREX system surface	Bronze + Black	438-26-29	90014377
STREX system surface	Champagne + Black	438-26-29	90014379

Power Feeder for Suspension

Colour	Item number
Black Texture	90018000

OPTICAL ACCESSORIES
Honeycomb Louver

Type	Colour	Ø (MM)	Item number
BLIEK PETIT CENO LECA PIRRO	Black	29	90051131

TRACKS


Track Profile 1m

Type	Colour	L-W-H (MM)	Item number
STREX system surface/suspended	White	1000-26-29	90014181
STREX system custom cut surface/suspended	White	200-999-26-29	90014181CC
STREX system surface/suspended	Black	1000-26-29	90014182
STREX system custom cut surface/suspended	Black	200-999-26-29	90014182CC
STREX system recessed	White	1000-37-33	90014187
STREX system custom cut recessed	White	200-999-37-33	90014187CC
STREX system recessed	Black	1000-37-33	90014188
STREX system custom cut recessed	Black	200-999-37-33	90014188CC

Track Profile 2m

Type	Colour	L-W-H (MM)	Item number
STREX system suspended indirect light	Black	2000-26-29	900140B5
STREX system custom cut suspended indirect light	Black	1000-1999-26-29	900140B5CC
STREX system suspended indirect light	White	2000-26-29	900140W5
STREX system custom cut suspended indirect light	White	1000-1999-26-29	900140W5CC
STREX system surface/suspended	White	2000-26-29	90014183
STREX system custom cut surface/suspended	White	1001-1999-26-29	90014183CC
STREX system surface/suspended	Black	2000-26-29	90014184
STREX system custom cut surface/suspended	Black	1001-1999-26-29	90014184CC
STREX system recessed	White	2000-37-33	90014189
STREX system custom cut recessed	White	1001-1999-37-33	90014189CC
STREX system recessed	Black	2000-37-33	90014190
STREX system custom cut recessed	Black	1001-1999-37-33	90014190CC
STREX system surface/suspended	Champagne	2000-26-29	90014383
STREX system custom cut surface/suspended	Champagne	1001-1999-26-29	90014383CC
STREX system surface/suspended	Bronze	2000-26-29	90014384
STREX system custom cut surface/suspended	Bronze	1001-1999-26-29	90014384CC

Track Profile 3m

Type	Colour	L-W-H (MM)	Item number
STREX system surface/suspended	White	3000-26-29	90014185
STREX system custom cut surface/suspended	White	2001-2999-26-29	90014185CC
STREX system surface/suspended	Black	3000-26-29	90014186
STREX system custom cut surface/suspended	Black	2001-2999-26-29	90014186CC
STREX system recessed	White	3000-37-33	90014191
STREX system custom cut recessed	White	2001-2999-37-33	90014191CC
STREX system recessed	Black	3000-37-33	90014192
STREX system custom cut recessed	Black	2001-2999-37-33	90014192CC
STREX system suspended indirect light	Black	3000-26-29	900141B5
STREX system custom cut suspended indirect light	Black	2001-2999-26-29	900141B5CC
STREX system suspended indirect light	White	3000-26-29	900141W5
STREX system custom cut suspended indirect light	White	2001-2999-26-29	900141W5CC
STREX system surface/suspended	Champagne	3000-26-29	90014385
STREX system custom cut surface/suspended	Champagne	2001-2999-26-29	90014385CC
STREX system surface/suspended	Bronze	3000-26-29	90014386
STREX system custom cut surface/suspended	Bronze	2001-2999-26-29	90014386CC