



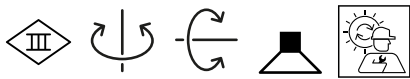
**PROJECT** \_\_\_\_\_

**TYPE** \_\_\_\_\_

**NOTES** \_\_\_\_\_

**QUANTITY** \_\_\_\_\_

**DATE** \_\_\_\_\_



Round ceiling recessed downlight made from die-cast aluminium; adjustable; surface White Matt; powder coated, matt texture; RAL 9010; installation without tools using wire springs; suitable for ceiling thickness of 4-23 mm; recessed depth 90 mm; with COB (Chip on Board) technology for maximum efficiency; light colour 3000 K; binning initial MacAdam ≤ 2 SDCM; CRI ≥ 90; beam angle 34°; 355° rotatable and 35° tiltable; degree of protection IP20; Class 3; IC rated; driver not included; light source replaceable by Wever & Ducré or by a professional with explicit authorization;



**GENERAL**

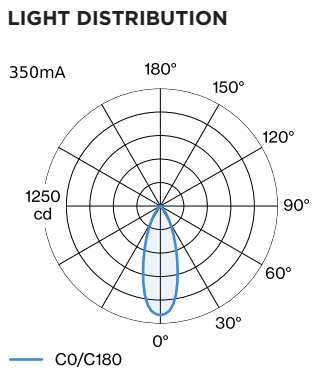
Ceiling
Recessed
tilt max 35 °
rotation 355 °
White Matt
RAL 9010 <sup>a</sup>
IP20
Interior
CIE flux code: 92 97 99 100 100

**MEASURED DRIVERS**

500mA
780 lm
12.2 W
350mA
575 lm
8.3 W

**LED**

3000 K
CRI ≥ 90
L80 / 55000h
initial MacAdam ≤ 2 SDCM

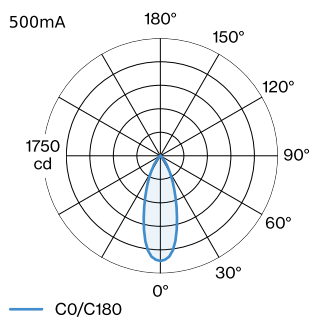


**OPTICAL**

Standard
beam angle 34°

**ELECTRICAL**

excl. driver
17 V
inset 8.8 6.0 W
Class 3



**PHYSICAL**

diameter 94 mm
height 77 mm
0.17 kg
wire springs

**CUTOUT**

diameter 86-89 mm
min. ceiling thickness 4 mm
max. ceiling thickness 23 mm
recessed depth 90 mm

<sup>a</sup> Colour may deviate slightly due to production conditions.



## CONE DIAGRAM

standard 36° 350mA			standard 36° 500mA		
h (m)	E0° (lx)	ø (m)	h (m)	E0° (lx)	ø (m)
1	1160	0.64	1	1570	0.64
2	290	1.29	2	390	1.29
3	130	1.93	3	170	1.93
4	70	2.57	4	100	2.57
5	50	3.22	5	60	3.22

## Maintenance Factor

Operating Time [h]	10.000	20.000	30.000	40.000	50.000
LLMF	0.96	0.92	0.88	0.85	0.81
LSF	1	1	1	1	1

$$MF = LMF \times RSMF \times LLMF \times LSF$$

MF Maintenance Factor

LLMF<sup>a</sup> Luminaire Maintenance Factor

RSMF<sup>a</sup> Room Surface Maintenance Factor

LLMF Lamp Lumens Maintenance Factor

LSF Lamp Survival Factor

<sup>a</sup>According to "CIE 97, Maintenance of indoor electric lighting systems", 2005, ISBN 3-900-734-34-8. The values must be determined by the planner.

## ELECTRICAL ACCESSORIES

### Driver

Type	Voltage	L·W·H (MM)	Item number
10W   500mA   11-20V	11-20V	100-43-23	90214405
10W   500mA   13-20V	13-20V	65-39-20	90214406
10W   500mA   3-20V   phase-cut dim	3-20V	102-49-29	90224402
10W   500mA   12-21V	12-21V	115-41-25	90224403
20W   500mA   3-40V   DALI	3-40V	116-40-5-22	90244604
24W   500mA   6-49V	6-49V	143-43-30	90244701

## OTHER ACCESSORIES

### Metal spring clip

Type	Ø (MM)	Item number
MR16   LED   PAR16   max. 12W	59	90019700

### Spring clip

Type	Colour	Ø (MM)	Item number
MR16   LED   PAR16   max. 12W	Black	59	900198B0
MR16   LED   PAR16   max. 12W	Gold	59	900198G0
MR16   LED   PAR16   max. 12W	Champagne	59	900198M0
MR16   LED   PAR16   max. 12W	Bronze	59	900198Q0
MR16   LED   PAR16   max. 12W	Silver	59	900198S0
MR16   LED   PAR16   max. 12W	White	59	900198W0

[184361W5] The technical data represent rated values for an ambient temperature of 25°C. The data values for the luminous flux are initially subject to a tolerance of +/- 10%, those for the electrical connected load are initially subject to a tolerance of +/- 10%, and those for the colour temperature are initially subject to a tolerance of +/- 150 K. No liability is assumed for typographical or printing errors. The general terms and conditions of Wever & Ducré BV apply.