



PROJECT _____

TYPE _____

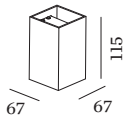
NOTES _____

QUANTITY _____

DATE _____



Rectangular wall surface luminaire made from aluminium; surface Black Matt; powder coated; matt texture; RAL 9005; direct light distribution; lamp socket GU10; lamp type PAR16; max. 12W; 100 - 240 V; lamp not included; degree of protection IP20; Class 1;



GENERAL

Wall _____
 Surface _____
 Black Matt _____
 RAL 9005 ^a _____
 IP20 _____
 Interior _____
 CIE flux code: 94 98 100 100 _____
 88 _____

MEASURED LAMPS

PAR16 LAMP 3000K CRI90 _____
 425 lm _____
 6.5 W _____

PAR16 LAMP 2700K CRI90 _____
 405 lm _____
 6.5 W _____

LED

lamp PAR16 _____
 socket GU10 _____
 max. per socket 12.0 W _____
 CRI ≥ 90 _____

ELECTRICAL

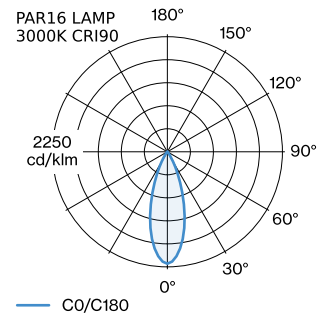
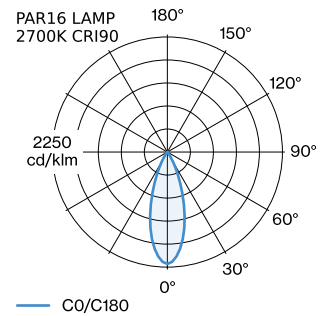
100 - 240 V _____
 Class 1 _____

PHYSICAL

length 67 mm _____
 width 67 mm _____
 height 115 mm _____
 0.24 kg _____

^a Colour may deviate slightly due to production conditions.

LIGHT DISTRIBUTION



300120B0



ELECTRICAL ACCESSORIES

LED LAMPS

Colour	Item number
Black Texture	W901228B3
Black Texture	W901228B5

LAMPS

PAR16 LED Lamp

Type	Colour	Ø·H (MM)	Item number
2700K >90 CRI GU10	White	50·60	901228W3
3000K >90 CRI GU10	White	50·60	901228W5
2700K >80 CRI GU10	Silver	50·60	905227S2
3000K >80 CRI GU10	Silver	50·60	905227S4