



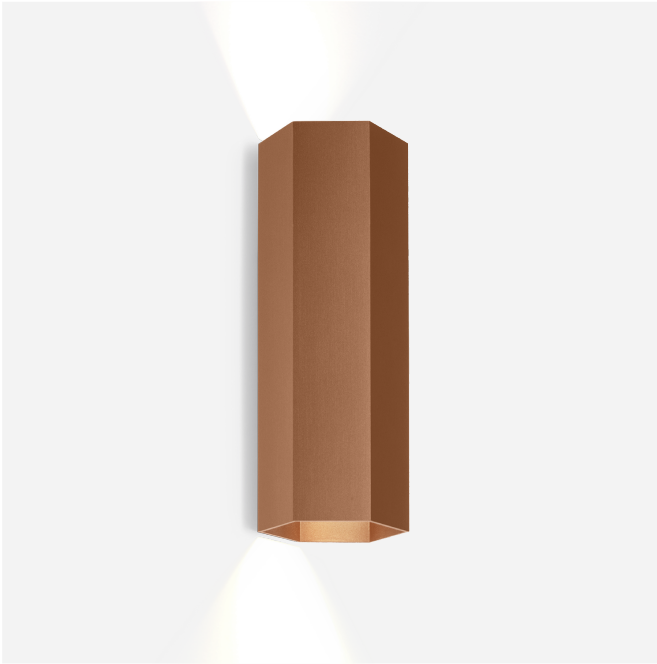
PROJECT _____

TYPE _____

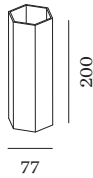
NOTES _____

QUANTITY _____

DATE _____



Hexagonal wall surface mounted luminaire made from aluminium; surface Copper; wet painted; brushed; direct/indirect light distribution; lamp socket GU10; lamp type PAR16; 2x max. 12W; 100 - 240 V; lamp not included; degree of protection IP20; Class 1;



GENERAL

Wall _____
 Surface _____
 Copper _____
 IP20 _____
 Interior _____
 indirect 460 480 lm _____
 direct 460 480 lm _____
 total 920 960 lm _____

LED

lamp 2 x PAR16 _____
 socket GU10 _____
 max. per socket 12.0 W _____
 CRI ≥ 90 _____

ELECTRICAL

100 - 240 V _____
 Class 1 _____

PHYSICAL

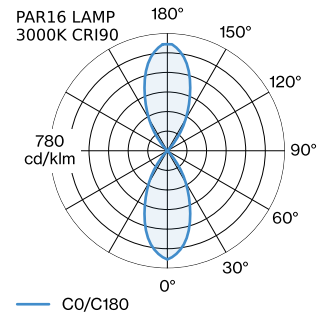
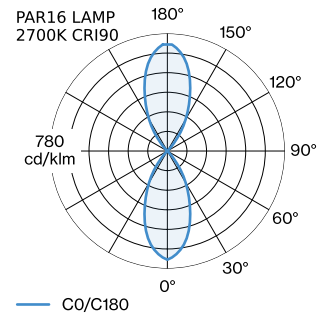
diameter 77 mm _____
 height 200 mm _____
 0.4 kg _____

MEASURED LAMPS

PAR16 LAMP 2700K CRI90 _____
 13 W _____

PAR16 LAMP 3000K CRI90 _____
 13 W _____

LIGHT DISTRIBUTION



[‘301420PO’] The technical data represent rated values for an ambient temperature of 25°C. The data values for the luminous flux are initially subject to a tolerance of +/- 10%, those for the electrical connected load are initially subject to a tolerance of +/- 10%, and those for the colour temperature are initially subject to a tolerance of +/- 150 K. No liability is assumed for typographical or printing errors. The general terms and conditions of Wever & Ducré BV apply.

301420P0



ELECTRICAL ACCESSORIES

LED LAMPS

Colour	Item number
Black Texture	W901228B3
Black Texture	W901228B5

LAMPS

PAR16 LED Lamp

Type	Colour	Ø·H (MM)	Item number
2700K >90 CRI GU10	White	50·60	901228W3
3000K >90 CRI GU10	White	50·60	901228W5
2700K >80 CRI GU10	Silver	50·60	905227S2
3000K >80 CRI GU10	Silver	50·60	905227S4