



**PROJECT** \_\_\_\_\_

**TYPE** \_\_\_\_\_

**NOTES** \_\_\_\_\_

**QUANTITY** \_\_\_\_\_

**DATE** \_\_\_\_\_



Wall surface luminaire made from aluminium; surface Black Matt; powder coated; matt texture; RAL 9005; up or down light emission; with COB (Chip on Board) technology for maximum efficiency; phase-cut dim; light colour 2700 K; binning initial MacAdam  $\leq 2$  SDCM; CRI  $\geq 90$ ; 220 - 240 V; degree of protection IP20; Class 1; driver included; light source replaceable by Wever & Ducré or by a professional with explicit authorization; control gear replaceable by an authorized professional;

**GENERAL**

Wall \_\_\_\_\_  
 Surface \_\_\_\_\_  
 Black Matt \_\_\_\_\_  
 RAL 9005 <sup>a</sup> \_\_\_\_\_  
 IP20 \_\_\_\_\_  
 Interior \_\_\_\_\_  
 CIE flux code: 93 98 100 100 0 \_\_\_\_\_

**LED**

2700 K \_\_\_\_\_  
 CRI  $\geq 90$  \_\_\_\_\_  
 L80 / 50000h \_\_\_\_\_  
 initial MacAdam  $\leq 2$  SDCM \_\_\_\_\_

**OPTICAL**

Standard \_\_\_\_\_  
 beam angle 22° \_\_\_\_\_

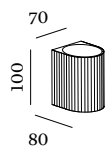
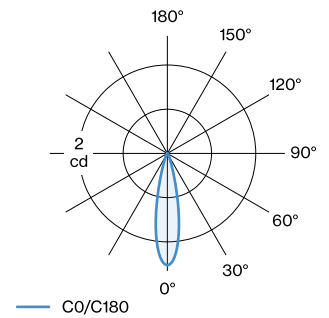
**ELECTRICAL**

phase-cut dim \_\_\_\_\_  
 220 - 240 V \_\_\_\_\_  
 system 8.1 W \_\_\_\_\_  
 Class 1 \_\_\_\_\_

**PHYSICAL**

length 70 mm \_\_\_\_\_  
 width 80 mm \_\_\_\_\_  
 height 100 mm \_\_\_\_\_  
 0.42 kg \_\_\_\_\_

**LIGHT DISTRIBUTION**



<sup>a</sup> Colour may deviate slightly due to production conditions.