



PROJECT \_\_\_\_\_

TYPE \_\_\_\_\_

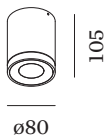
NOTES \_\_\_\_\_

QUANTITY \_\_\_\_\_

DATE \_\_\_\_\_



Cylindrical ceiling surface mounted downlight made from die-cast aluminium; surface Anthracite Grey; powder coated; matt texture; RAL 7016; lamp socket GU10; lamp type PAR16; max. 5W; 100 - 240 V; degree of protection IP65; Class 1; lamp not included;



**GENERAL**

Ceiling
Surface
Anthracite Grey
RAL 7016 <sup>a</sup>
IP65
Exterior
CIE flux code: 94 98 100 100 88

**MEASURED LAMPS**

PAR16 LAMP 3000K CRI80
340 lm
4.4 W
PAR16 LAMP 2700K CRI80
340 lm
4.4 W

**LED**

lamp PAR16
socket GU10
max. per socket 5.0 W
CRI ≥ 80

**ELECTRICAL**

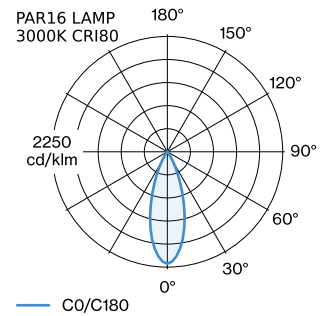
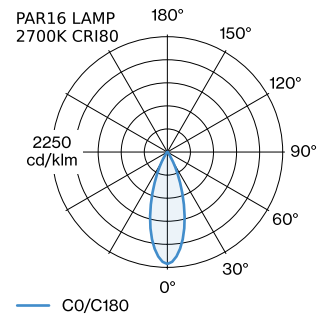
100 - 240 V
Class 1

**PHYSICAL**

diameter 80 mm
height 105 mm
0.49 kg

<sup>a</sup> Colour may deviate slightly due to production conditions.

**LIGHT DISTRIBUTION**



[734120A0] The technical data represent rated values for an ambient temperature of 25°C. The data values for the luminous flux are initially subject to a tolerance of +/- 10%, those for the electrical connected load are initially subject to a tolerance of +/- 10%, and those for the colour temperature are initially subject to a tolerance of +/- 150 K. No liability is assumed for typographical or printing errors. The general terms and conditions of Wever & Ducré BV apply.



**LAMPS**

**PAR16 LED Lamp**

Type	Colour	Ø·H (MM)	Item number
2700K   >80 CRI   GU10	Silver	50·60	905227S2
3000K   >80 CRI   GU10	Silver	50·60	905227S4