

# SONANCE

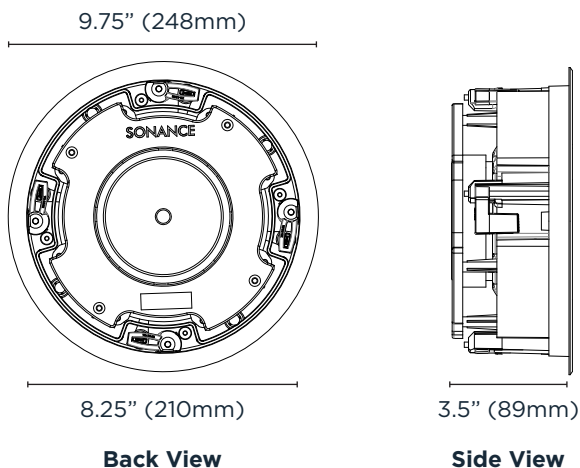
## EXTREME DATA SHEET

### VPXT6R

#### TECHNICAL SPECIFICATIONS

SKU	VPXT6R 93339
UOM	Pair
Tweeter	1" (25mm) polyurethane dome, Ferrofluid cooled, in acoustic back chamber
Woofer	6 1/2" (165mm) injection-molded polypropylene/graphite cone, integral Santoprene™ surround
Frequency Response	45Hz-20Hz +/-3dB
Impedance	8 Ohms nominal; 6 Ohms minimum
Power Handling	5 Watts minimum; 125 Watts maximum
Sensitivity	89dB SPL (2.83V/1 meter)
Environmental	Military Standard 810G for humidity, salt spray, temperature, UV, IP-66 waterproof rating
Environmental Temperature	-30° to +175°F (-34°C to +79°C)
Grille Material	Powder-coated stainless steel
Dimensions (DiaxD)	9.75" x 3.5" (248mm x 89mm)
Cut-Out Dimensions (DiaxD)	8.25" x 3.5" (210mm x 89mm)
Grille Dimensions (WxH)	9.156" x 9.156" (233mm x 233mm)
Shipping Weight	12 lbs (5.4 kg) pair

#### DIMENSIONAL DRAWINGS



#### ASSOCIATED PRODUCTS

VPXT6SQ Square Adapter + Grille / Pair	93342
Medium Round Retrofit Enclosure / Pair	92343
Medium Round Acoustic Enclosure / Each	91688
Medium Round Flex Bracket / 5x Pair	92337
Medium Round Coverplate / Pair	92335

**LIMITED FIVE (5) YEAR WARRANTY** Sonance warrants to the first end-user purchaser that this Sonance-brand product ("Product"), when purchased from an authorized Sonance Dealer/Distributor, will be free from defective workmanship and materials for the period stated above. Sonance will at its option and expense during the warranty period, either repair the defect or replace the Product with a new or remanufactured Product or a reasonable equivalent. For more details please refer to the product manual.

©2021 Sonance. All rights reserved. Sonance is a registered trademarks of Dana Innovations. Due to continuous product improvement, all features and specifications are subject to change without notice. For the latest Sonance product specification information visit our website at [www.sonance.com](http://www.sonance.com).

SONANCE • 991 Calle Amanecer • San Clemente, CA 92673 USA • Phone: (949) 492-7777 • Fax: (949) 361-5151 • Technical Support: (949) 492-7777 • [www.sonance.com](http://www.sonance.com) 05.31.2023