

# SONANCE

## INVISIBLE SERIES DATA SHEET

### IS10 | IS8 | IS6 SPEAKERS

#### TECHNICAL SPECIFICATIONS

	<b>IS10</b>	<b>IS8</b>	<b>IS6</b>
SKU	93480	93479	93478
UOM	Pair	Pair	Pair
Wave Flex Drive Unit	29in <sup>2</sup> (188cm <sup>2</sup> ) bending wave diaphragm   1.75in (44mm) voice coil	29in <sup>2</sup> (188cm <sup>2</sup> ) bending wave diaphragm, 1.75in (44mm) voice coil	20in <sup>2</sup> (127cm <sup>2</sup> ) bending wave diaphragm, 1.75in (44mm) voice coil
Air Flex Woofer	244in <sup>2</sup> (1573cm <sup>2</sup> ) air pulse diaphragm   10in (254mm) glass-fiber woofer	191in <sup>2</sup> (1234cm <sup>2</sup> ) air pulse diaphragm   8in (203mm) glass-fiber woofer	98in <sup>2</sup> (633cm <sup>2</sup> ) air pulse diaphragm, 6.5in (165mm) glass-fiber woofer
Frequency Response	35Hz-30kHz (+/-3dB)	40Hz-30kHz (+/-3dB)	50Hz-30kHz (+/-3dB)
Nominal Impedance	6 Ohms	6 Ohms	6 Ohms
Power Handling (RMS)	200W	160W	100W
Sensitivity (2.83V/1m)	87dB	86dB	84dB
Working Temp. Range	0° - 125°F (-17.7° - 51.7°C)	0° - 125°F (-17.7° - 51.7°C)	0° - 125°F (-17.7° - 51.7°C)
Dispersion	170° hemispherical	170° hemispherical	170° hemispherical
Product Dimensions (WxHxD)	16.10" x 28.66" x 3.15" (409mm x 728mm x 80mm)	16.10" x 24.13" x 3.15" (409mm x 613mm x 80mm)	16.10" x 16.10" x 3.15" (409mm x 409mm x 80mm)
Mounting Depth	2.68" (68mm)	2.68" (68mm)	2.68" (68mm)

#### OPTIONAL ACCESSORIES

	<b>LARGE (IS10)</b>	<b>MEDIUM (IS8)</b>	<b>SMALL (IS6)</b>
Sound-Isolating Enclosure	93490	93489	93488
Narrow Enclosure	93535	93534	93533
IS-PB Preconst. Bracket .625" (Requires 93489 Standard Enclosure)	93627	93623	93619
IS-PB Preconst. Bracket .5" (Requires 93489 Standard Enclosure)	93626	93622	93618
IS-PB Narrow Precon. Bracket .625" (Requires 93534 Narrow Enclosure)	93629	93625	93621
IS-PB Narrow Precon. Bracket .5" (Requires 93534 Narrow Enclosure)	93628	93624	93620
Space Saver	93494	93493	93492

#### ASSOCIATED PRODUCTS

DG-1 DISC System Depth Gauge	93491
<b>INVISIBLE SERIES WOOFER/SUBWOOFER</b>	
IS10-2W Subwoofer	93591
IS10W Woofer	93481
<b>INVISIBLE SERIES COMMERCIAL SPEAKER</b>	
IS8T Speaker	40197

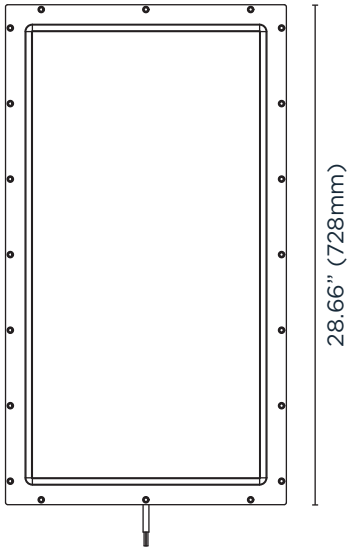
#### LIMITED FIFTEEN (15) YEAR WARRANTY

Sonance warrants to the first end-user purchaser that this Sonance-brand product ("Product"), when purchased from an authorized Sonance Dealer/Distributor, will be free from defective workmanship and materials for the period stated above. Sonance will at its option and expense during the warranty period, either repair the defect or replace the Product with a new or remanufactured Product or a reasonable equivalent. For more details please refer to the product manual.

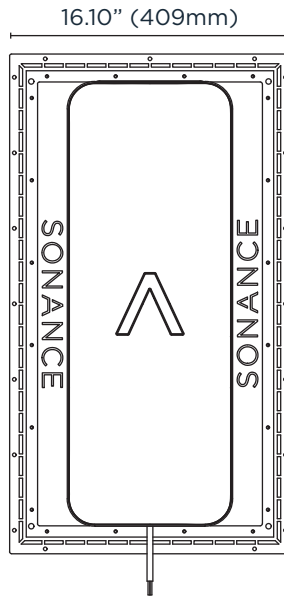
©2021 Sonance. All rights reserved. Sonance is a registered trademarks of Dana Innovations. Due to continuous product improvement, all features and specifications are subject to change without notice. For the latest Sonance product specification information visit our website at [www.sonance.com](http://www.sonance.com).

SONANCE • 991 Calle Amanecer • San Clemente, CA 92673 USA • [www.sonance.com](http://www.sonance.com) Phone: (949) 492-7777 • Fax: (949) 361-5151 • Technical Support: (949) 492-7777 06.08.2021

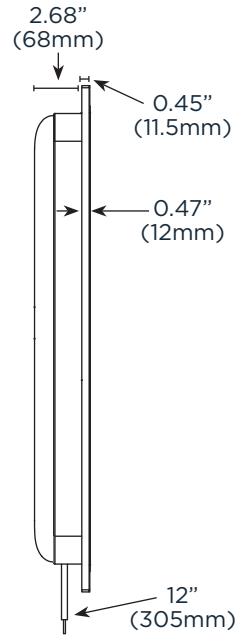
# DIMENSIONAL DRAWINGS



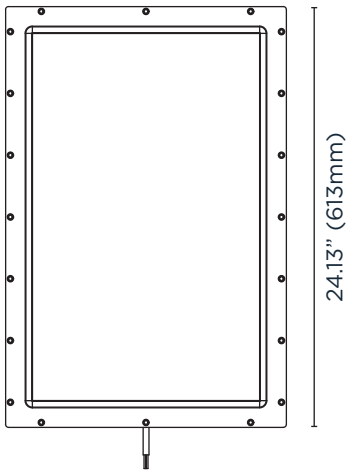
**IS10 Front View**



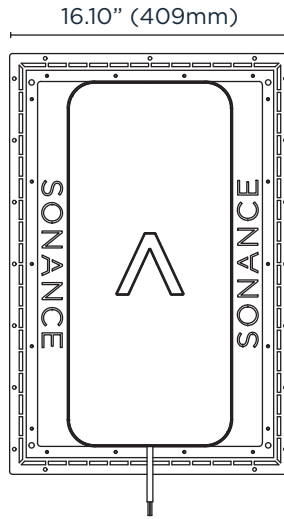
**IS10 Back View**



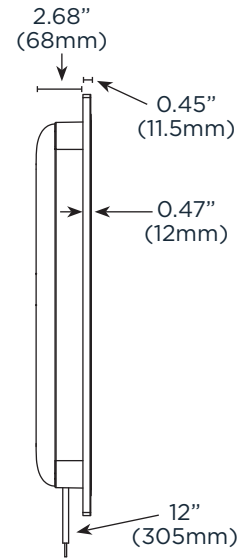
**IS10 Side View**



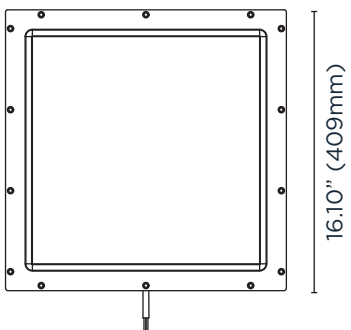
**IS8 Front View**



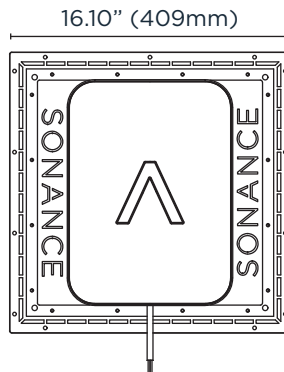
**IS8 Back View**



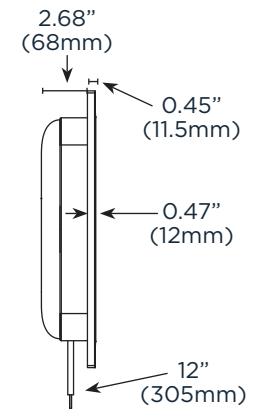
**IS8 Side View**



**IS6 Front View**



**IS6 Back View**



**IS6 Side View**