

FLOS

F1077009 White

Bellhop Glass C2

Designed by Edward Barber and Jay Osgerby, 2025

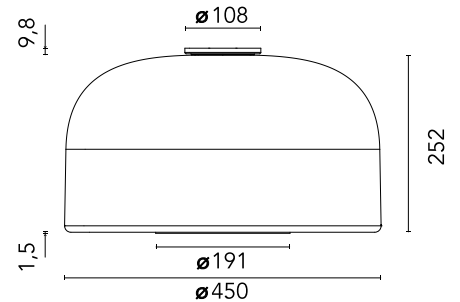


LED retrofit - 30W

Bellhop Glass Ceiling can be used as an ambient light but also as a task light, which directly illuminates, with a non-blinding cone of light, the surface on which it is installed. The hole in the bottom part of the lamp, protected by an aluminum element, is shaped to direct the light (and change the bulb) avoiding the diffusion up to the eyes of those sitting at the table. A cone of light is therefore created inside the Bellhop Glass, which expands homogeneously in the environment on all sides and lands on the table precisely, like a torch, visually signaled by the colored aluminum ring that surrounds the lower opening of the lamp.

Are you a professional and your project needs consulting and support?

[BOOK AN APPOINTMENT](#)



Main specifications

EAN	8059607074411
Mounting	Ceiling
Environments	Indoor dry location
Light source type	Bulb
Light sources included	No
Lamp category	LED retrofit
Lamp type	A
Lamp holders	E27
Ilcos	HSGSA
Number of lamps	1
Power (W)	30
System power (W)	30

Physical

Colour	White
Length (mm)	450
Net weight (kg)	6.8
Package volume (m3)	0.14
IP internal	20

Download

[Mounting instructions](#) PDF

[Mounting instructions](#) PDF

Photometric Files

[LDT / IES](#) ZIP

Technical Drawings

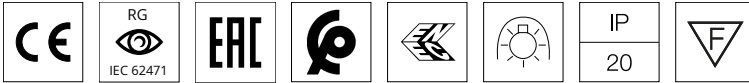
[2D](#) ZIP

[3D](#) ZIP

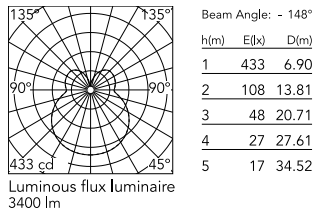
Ecodesign and Energy

Labelling

 Replaceable (LED only) light source by an end-user



Schematic light drawing



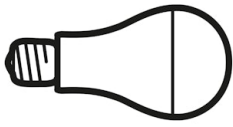
Photometric

Lighting type	Total
Light distribution	Symmetric
Extreme cut off	No

Electrical

Insulation class	I
Frequency (Hz)	50/60
Main voltage (Vac)	220-250
Dimmable	Yes
Dimming interface	Remote Dimmable (Dimmer Not Included)
Batteries inside	No

Bulbs



NOT INCLUDED

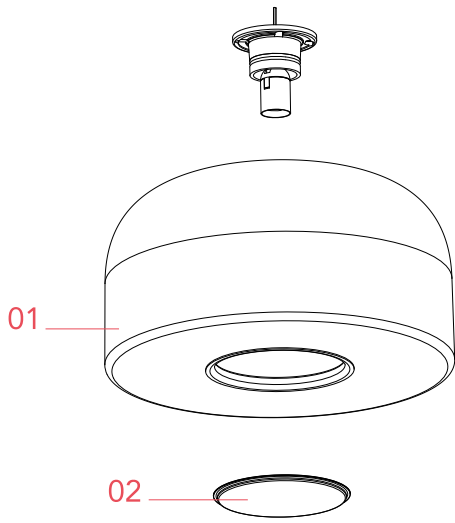
RF36503

LED 25W E27 3700lm 2700K 240°

DIMMER

Spare Parts

- | | | |
|-----|--|-----------|
| 01. | Belhop Glass C2 white diffuser
white ring | F1079009 |
| 02. | Bellhop Glass 2 hole frame shiny
white | RF1077109 |





F1079009

Bellhop Glass C2 white diffuser
white ring



RF1077109

Bellhop Glass 2 hole frame shiny
white