

FLOS

F3171059 Brass

IC Lights T1 Low

Designed by Michael Anastassiades, 2014



Halogen - 60W

Table lamp providing diffused light. Frame in brass, black or chrome steel. Blown glass opal diffuser. Dimmer on the power chord.

Are you a professional and your project needs consulting and support?

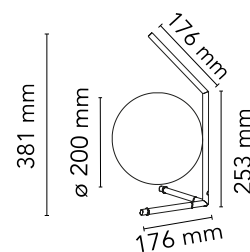
BOOK AN APPOINTMENT

Main specifications

| | |
|-------------------|---------------------|
| EAN | 8059607002803 |
| Mounting | Table |
| Environments | Indoor dry location |
| Light Source Type | Bulb |
| Lamp category | Halogen |
| Lamp holders | E14 |
| Iicos | HSGS |
| Number of heads | 1 |
| Power (W) | 60 |

Physical

| | |
|---------------------|-------|
| Colour | Brass |
| Length (mm) | 200 |
| Cord colour | Black |
| Net weight (kg) | 1.2 |
| Package volume (m3) | 0.04 |
| IP internal | 20 |



Download

Mounting instructions [↓ PDF](#)

Spare Parts [↓ PDF](#)

Photometric Files

LDT / IES [↓ LDT](#)

Technical Drawings

2D [↓ ZIP](#)

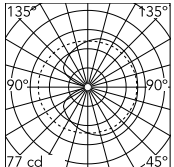
3D [↓ ZIP](#)

[🔒 Bim](#) [↓ ZIP](#)



| |
|----|
| IK |
| 07 |

Schematic light drawing



Photometric

| | |
|--------------------|------------|
| Lighting type | Total |
| Light distribution | Asymmetric |
| Extreme cut off | No |

Electrical

| | |
|----------------------|-------------------|
| Insulation class | II |
| Frequency (Hz) | 50/60 |
| Main voltage (Vac) | 220-240 |
| LED voltage Vf (Vdc) | null |
| Dimmable | Yes |
| Dimming interface | Dimmer Integrated |
| Plug type | Type C |
| Batteries inside | No |

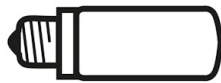
Bulbs



NOT INCLUDED

RF32290

LED Lamp E14 8W 2700K T28



NOT INCLUDED

RF32291

LED Lamp E14 8W 3000K T28



NOT INCLUDED

RF32767

LED Lamp 9W E14 220-240V
2700K T28

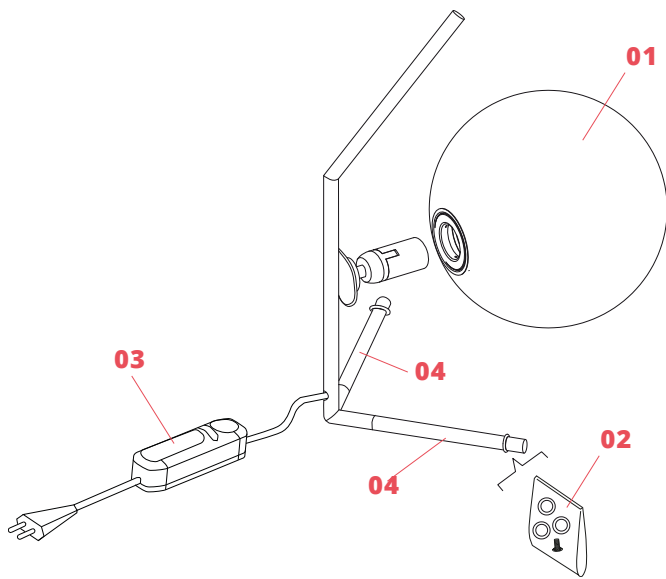


NOT INCLUDED

RF32768

LED Lamp 9W E14 220-240V
3000K T28

Spare Parts



- | | | |
|-----|--|-----------|
| 01. | IC Lights 1 diffuser for brass version | F3136059 |
| 02. | Gasket and foot kit for ic high-low | RF3160400 |
| 03. | Black Dimmer Switch | RF28206 |
| 04. | Lower brass leg | RF23317 |

DOWNLOAD



F3136059
IC Lights 1 diffuser for brass
version



RF3160400
Gasket and foot kit for ic high-low



RF28206
Black Dimmer Switch



RF23317
Lower brass leg