

FLOS



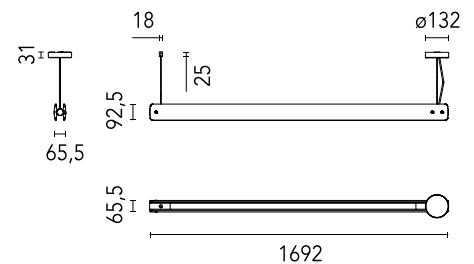
D304S01AEEAD1 Wood

Seki-Han Suspension

Designed by Tobia Scarpa, 2025

LED retrofit - 22W - 2700K - CRI> 80

Suspension lamp emitting direct and indirect light with symmetrical and asymmetrical distribution. Features two horizontal ash wood blades joined by chromed metal fittings. Blades rotate around a central tubular light source to allow variable light emission. Custom-developed dimmable linear LED light source. The lamp can also be fitted with standard T8 LED tubes. Designed by Tobia Scarpa in 1963 and reissued in 2025, Seki-Han is testament to his mastery of design and wood-working expertise. The intricate construction draws on naval techniques to shape two wooden blades that now rotate around the light source, leaving a slender sliver of light visible at all times for a highly poetic effect. The re-edition also introduces an elegant suspension model, identical in design but with a slightly shorter body. In both versions, Seki-Han is a living presence where the immateriality of light meets the tactility of wood.



Are you a professional and your project needs consulting and support?

[BOOK AN APPOINTMENT](#)

Main specifications

EAN	8059607076330
Mounting	Suspension
Environments	Indoor dry location
Light source type	Bulb
Light sources included	Yes
Lamp category	LED retrofit
Lamp type	T8
Lamp holders	G13
Bulb finish	Opal
Number of lamps	1
Power (W)	22
System power (W)	22

Physical

Colour	Wood
Length (mm)	1690
Cord length (mm)	3000
Canopy length/diameter (mm)	132
Canopy height (mm)	31
Net weight (kg)	4.1
Package volume (m3)	0.08
IP internal	20

Download

[Mounting instructions](#) PDF

[Mounting instructions](#) PDF

Ecodesign and Energy Labelling

This product contains a light source of energy efficiency class D



Photometric

Lighting type	Total
Light distribution	Asymmetric
CCT (K)	2700
CRI>	80
Extreme cut off	No

Electrical

Insulation class	II
Frequency (Hz)	50/60
Main voltage (Vac)	220-240
Dimmable	Yes
Dimming interface	Remote Dimmable (Dimmer Not Included)

Bulbs

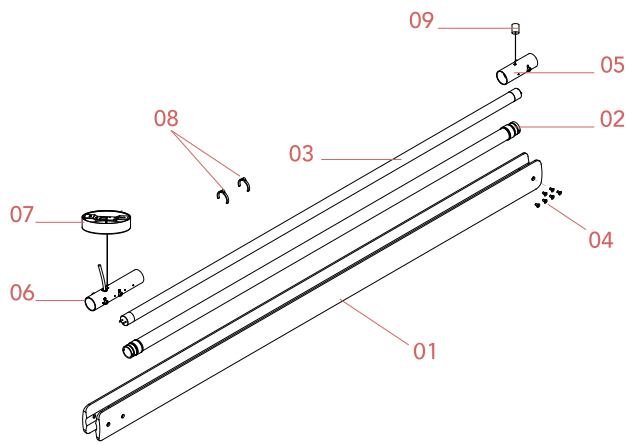


INCLUDED

RF37818

Seki-Han G13 Led light source

Spare Parts



- | | | |
|-----|--|-----------|
| 01. | Seki-Han ash wood blades | RF37780 |
| 02. | Seki-Han glass diffuser assembly | RF37777 |
| 03. | Seki-Han G13 Led light source | RF37818 |
| 04. | Seki-Han body screws kit | RF3040100 |
| 05. | Seki-Han S Upper joint assembly | RF37820 |
| 06. | Seki-Han S Lower joint assembly | RF37821 |
| 07. | Seki-Han S Ceiling rose assembly | RF37850 |
| 08. | Seki-Han S Cable guide hook | RF37848 |
| 09. | Seki-Han S Little rose and steel wire cable assembly | RF37849 |



RF37780

Seki-Han ash wood blades



RF37777

Seki-Han glass diffuser assembly



RF37818

Seki-Han G13 Led light source



RF3040100

Seki-Han body screws kit



RF37820

Seki-Han S Upper joint assembly



RF37821

Seki-Han S Lower joint assembly



RF37850

Seki-Han S Ceiling rose assembly



RF37848

Seki-Han S Cable guide hook



RF37849

Seki-Han S Little rose and steel
wire cable assembly